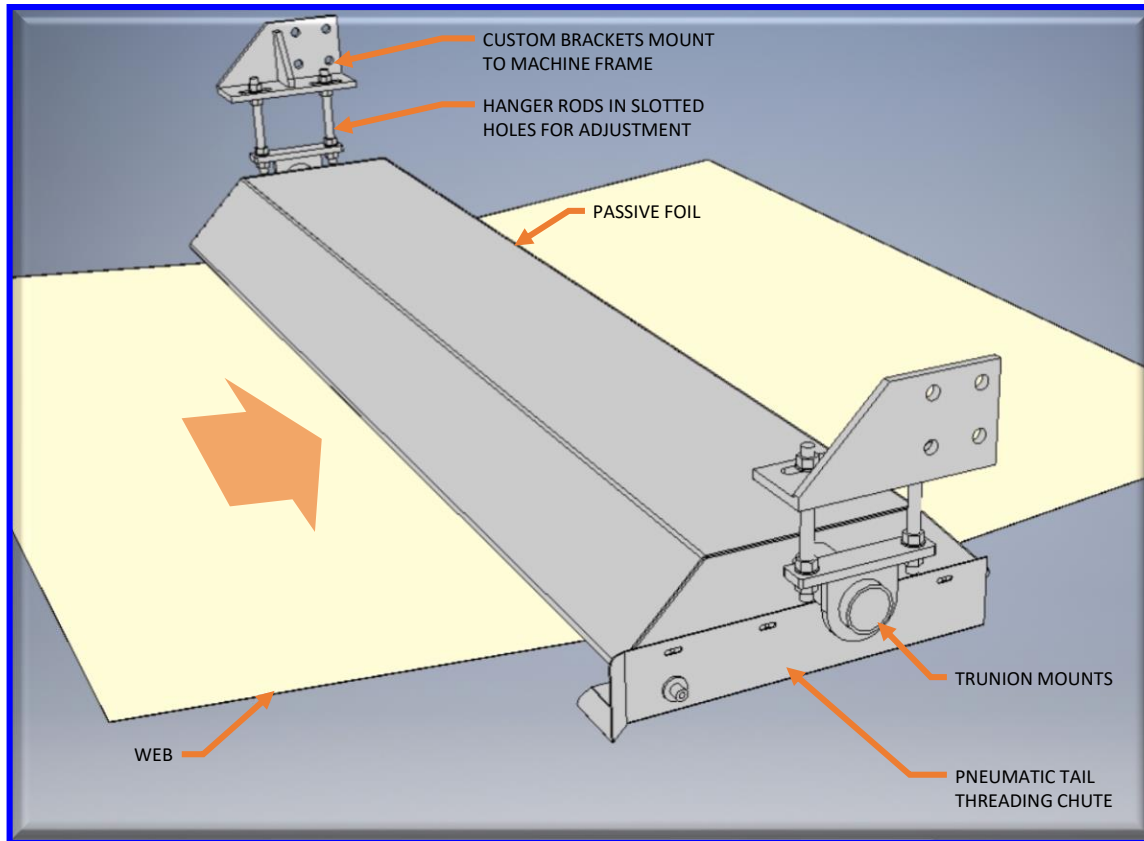


TISSUE MACHINE PASSIVE FOIL



Application:

- Used in the dry end of a tissue or towel grade production machine to support the web
- Customized to suit the speeds, grades and trim width of your machine

Features:

- Polished stainless steel surface for web,
- Integral tail threading chute
- Rigid adjustable brackets

Benefits:

- Increased web stability results in potential for higher machine speeds
- Simple, reliable, and easy to maintain
- Polished surface has good release properties to help remain clean
- The integrated tail threading results in increased threading efficiency

How it works:

- The tail is threaded close to the normal web path
- The web wraps the leading and trailing edges of the foil
- The coanda effect causes the web to hug the polished bottom surface of the foil



**Engineering
Alliance**